

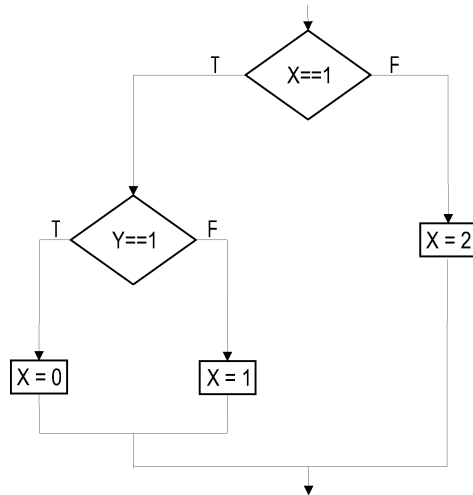


October 30, 2002

First Assignment: Software Visualization (WS 02/03)

Exercise 1: (2 points)

Write a program for which we would get the following control-flow graph.



Exercise 2: (2 points)

Draw the control-flow graph and the Nassi-Shneiderman diagram of the following program.

```
x=0;  
odd=0;  
even=0;  
while (x<100)  
  { if (x%2==0) {even=even+1} else {odd=odd+1}  
    x=x+1 }
```

Exercise 3: (6 points)

Give all computation rules (informal and formal) for `cfg()` and `box()` of the `do{S}while(E)` statement.

Please, hand in your assignment at the start of the lecture on November 6th.